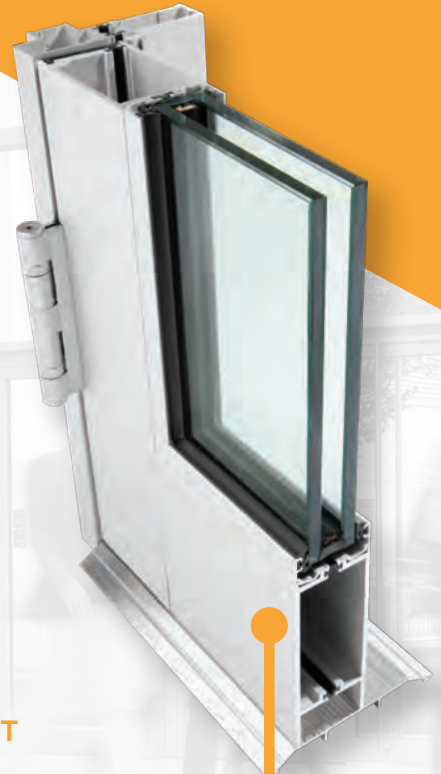




SUMMIT 200

THERMAL ENTRANCE



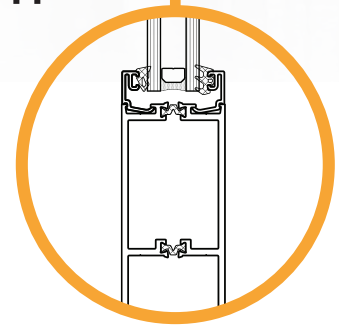
THE WARMEST FIRST IMPRESSION STARTS AT SUMMIT

Leading Thermal Performance on an Aluminum Entrance System

A robust entrance system designed with zero bridging that allows your system to perform optimally, without sacrificing energy performance.

Durable, Robust and Adaptable, Everything You Need to Reach the Summit

Reliable and enduring, the Summit 200 offers owners the opportunity to customize size, finishes and hardware, while maintaining strength and durability, to create the first impression to match your project's aspirations.



THERMALLY BROKEN, NEVER BRIDGED

A fully pressure equalized design that incorporates a 12mm polyamide thermal break and extruded EPDM gaskets with a range of additional high-performance weather seals.



HIGHLY CUSTOMIZABLE SIZE, INFILL AND FINISHES

Complete door, frame and hardware systems available in three stiles: narrow, medium and wide with optional mid-rail and hardware and finishes to complement any high-profile, retrofit or commercial entrance.



SLEEK APPEARANCE

2" slim line profile allows Summit 200 to maximize glazing opportunities. Allowing businesses further opportunity to showcase their brand, through larger insulated glass units for increased interior/exterior views.



ADA COMPLIANT

Summit 200's 10" bottom rail is compliant with the Americans with Disabilities Act to allow equal opportunity for easy entry and egress for all.



SUMMIT 200

THERMAL ENTRANCE

Contemporary Engineering for a Welcome Aesthetic

Provide the warm welcome that you want. The Summit 200 thermal entrance system provides ample opportunities for customization in size, finish, and hardware.



Variable height up to 10' [3048mm], widths range from 3' [914mm] to 4' [1219mm]

Dual moment welded corners utilizing a unique thermally broken connector design

Single or double acting

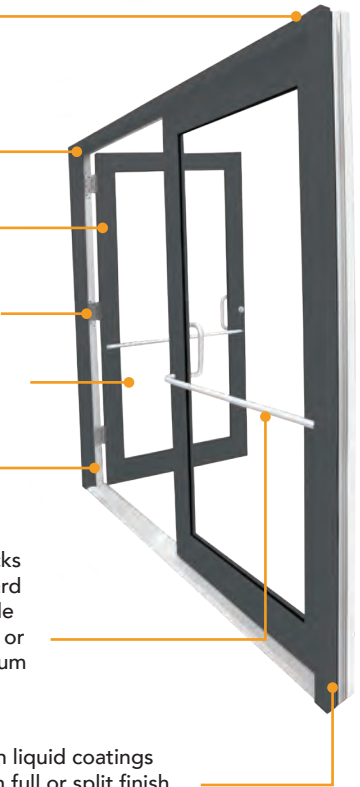
Butt hinge or continuous gear hinge options

10 glazing infill options ranging from 15/32" to 1 1/8"

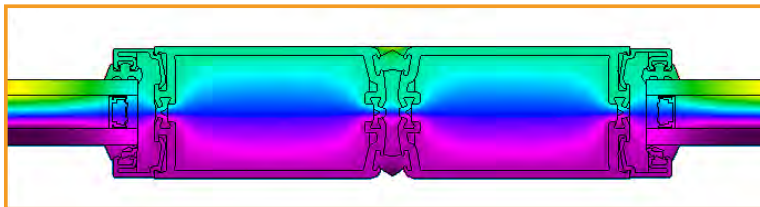
Pile and bulb weather strip seal options

Hardware options: MS locks or panic hardware, standard or custom push/pull handle options, surface mounted or concealed closers, aluminum or stainless steel

Industry leading finishes in liquid coatings and anodizing, available in full or split finish options, all coatings meet AAMA 2604 and 2605 standards



Type of Stile	Description	Type of use
Narrow Stile	2 1/4" [54mm] vertical stile, 2 1/4" [54mm] top and 3 7/8" [98mm] bottom rail	Moderate use: common applications include small business, storefronts, and apartment complexes
Medium Stile	3 1/2" [89mm] vertical stile, 3 7/8" [98mm] top and 5" [127mm] bottom rail	High-traffic: common applications include schools, hospitals and institutions
Wide Stile	5" [127mm] vertical stile, 5" [127mm] top and 7 1/2" [190mm] bottom rail	Monumental: common applications include museums and art galleries, banks, and luxury hotels and/or brands



Thermal simulation of Summit 200 with double glazing

Mid rail options available, 4" [102mm] and 8" [203mm] tall

Can be integrated with Meridian 450, Keystone 500/550 and Pinnacle 600/650

PERFORMANCE TEST STANDARDS

Condensation Resistance and Thermal Modeling	NFRC 100, NFRC 200, NFRC 500
Voluntary Test Method for Thermal Transmittance and Condensation Resistance of Windows, Doors and Glazed Wall Sections	AAMA 1503-09
Physical Thermal Performance Test to Verify and Support NFRC Certification	NFRC 102-2014
All Testing for Summit in Accordance with:	AAMA/WDMA/CSA 101/I.S.2/A440-11 CSA A440S1-17

For information on Summit's warm welcome solution:

Visit apexfacades.com or call 1.866.970.5948